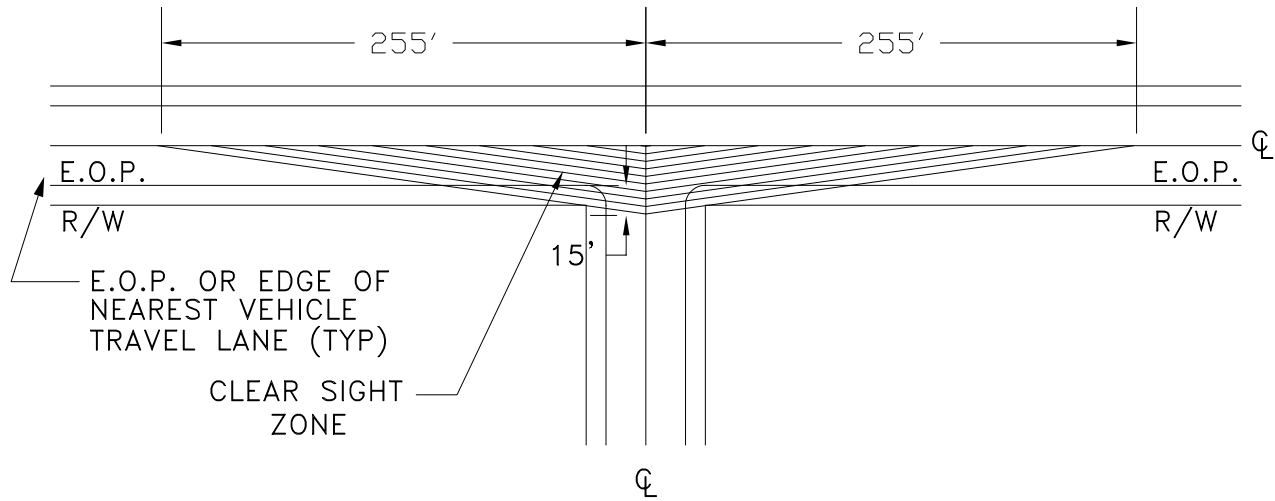


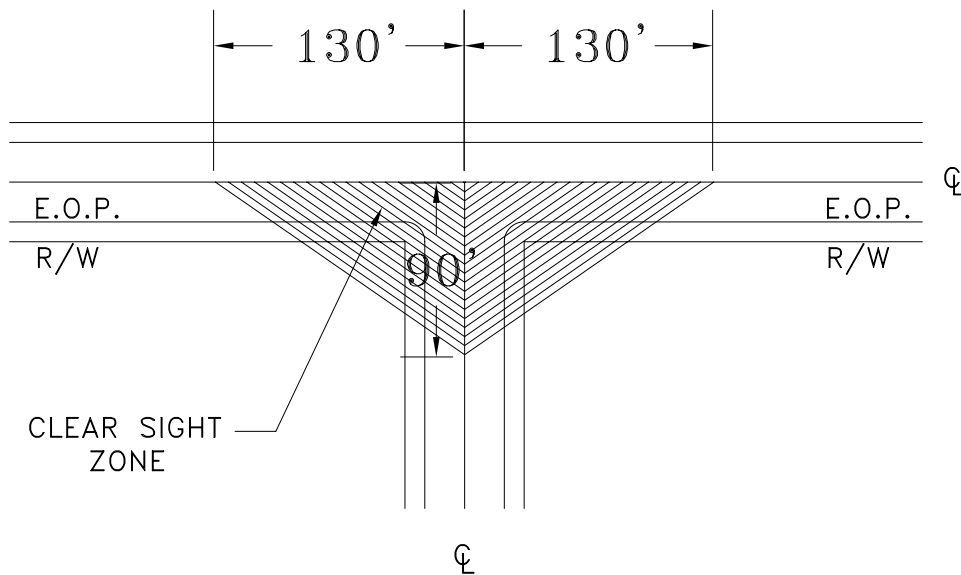
STOP OR YIELD CONTROLLED INTERSECTIONS

EXAMPLE: MAJOR STREET SPEED LIMIT = 25 M.P.H.



UNCONTROLLED INTERSECTIONS

EXAMPLE: MAJOR STREET SPEED LIMIT = 30 M.P.H.
MINOR STREET SPEED LIMIT = 20 M.P.H.



GENERAL NOTES:

1. SEE SECTION 4B.150 OF THE DEVELOPMENT GUIDELINES FOR MORE INFORMATION ON THE VERTICAL CLEARANCE WITHIN THE CLEAR SIGHT ZONE.

APPROVED BY	REVISED DATE	CITY OF OLYMPIA	STD. PLAN NO.
CITY ENGINEER	12/05/97	SIGHT OBSTRUCTION	4-1