

LUMINAIRE SPECIFICATIONS
 CATALOGUE NO.: K56-C-P-SAR-III-250(MOG)
 --HPS-120-KPL10-PEC-BK-PSE
 LANTERN STYLE: CLEVELAND
 POLE ADAPTOR: PENDANT
 OPTICAL SYSTEM: SEGMENTED ACRYLIC RIPPLED
 IES CLASS.: TYPE III
 LIGHT SOURCE: HIGH PRESSURE SODIUM
 LINE VOLTAGE: 120V
 PAINT: BLACK
 OPTIONS: KPL-10 LEVELING DEVICE
 ELECTRONIC PHOTO BUTTON CELL


QUICK DISCONNECT }
 TERMINAL BLOCK } PLEASE SELECT ONE

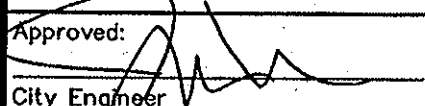
BALLAST INFORMATION:
 BALLAST TYPE: CWA
 BALLAST MANU.: ADVANCE / MAGNETEK
 CATALOG NUMBER: 71A8291 / S250MLTAC4M

ARM SPECIFICATIONS
 CATALOGUE NO.: KA30-T-1-8"
 MAT'L: ALUMINUM
 PAINT: BLACK

TENON DETAIL
 SCALE: 4:1

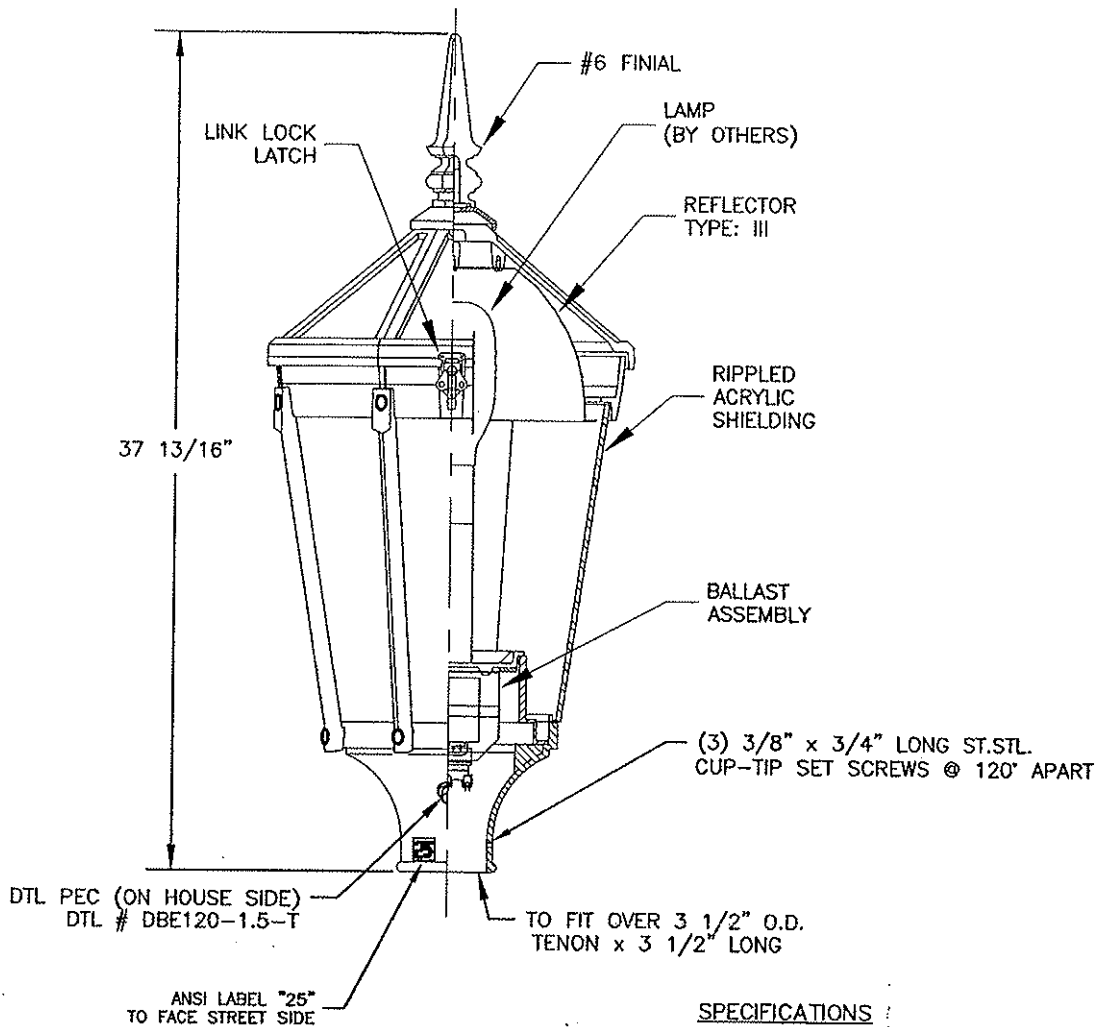
TOP VIEW
 SCALE: 4:1

 KING LUMINAIRE COMPANY INC. 640 WALKER'S LINE, P.O. BOX 7, BURLINGTON, ONTARIO, CANADA L7R 3J0 P.O. BOX 266 JEFFERSON, OHIO 1153 STATE ROUTE 46N U.S.A. 44047			
DRAWING NAME: CONCEPT DWG	DWG NUMBER 206A2914-1	DATE: 05/05/05	DWG BY: REV. A.A.
PROJECT/CUSTOMER: PSE -- BONNEY LAKE			CHK BY:
VDWGS\206A2914			

Approved: 
 City Engineer 6-17-05
Date
STREET STANDARD DETAIL



Dwg No: **S15**
KING LUMINAIRE



OPTIONS:

- QUICK DISCONNECT
- TERMINAL BLOCK

OTHER: DTL ELECTRONIC PHOTO BUTTON CELL

FOR WIRING DIAGRAM SEE DRAWING T.B.A.

SPECIFICATIONS :


CATALOGUE NO.: K56-C-T-SAR-III-250(MOG)
-HPS-120-PEC-BK-PSE

QUANTITY:
LANTERN TYPE: CLEVELAND
POLE ADAPTOR: 3-1/2" O.D. SLIPFITTER
OPTICAL SYSTEM: SEGMENTED ACRYLIC RIPPLED
IES LTG. CLASS.: TYPE III
WATTAGE: 250W
SOCKET TYPE: MOGUL
LIGHT SOURCE: HIGH PRESSURE SODIUM
LINE VOLTAGE: 120V
PAINT: BLACK
LAMP BY OTHERS

BALLAST INFORMATION:

BALLAST TYPE: CWA
BALLAST MANU.: ADVANCE / MAGNETEK
CATALOG NUMBER: 71A8291 / S250MLTAC4M

PART	PLANT REFERENCE DWG. #s	REVISION
GLOBE		
CAPITAL		
OPTICS		
BALLAST		
FINIAL		
OTHERS		

 KING LUMINAIRE <small>COMPANY INC.</small> 840 WALKER'S LINE, P.O. BOX 7, BURLINGTON, ONTARIO, CANADA L7R 3Y9					<small>P.O. BOX 288 JEFFERSON, OHIO 1133 STATE ROUTE 408 U.S.A. 44047</small>				
DRAWING NAME:	DWG NUMBER:	DATE:	DWG BY:	REV.					
CONCEPT DWG	206A2914-2	05/05/05	A.A.						
PROJECT/CUSTOMER:					CHK.BY:				
PSE - BONNEY LAKE									

CERT. I.D. CS ET

\\DWG5\206A2914

Approved:

City Engineer

STREET STANDARD DETAIL

Date



Dwg No:

S15

KING LUMINAIRE

SPECIFICATIONS

CATALOGUE NO.: K56-C-P-SAR-III-250(MOG)
-HPS-120-KPL10-PEC-BK-PSE

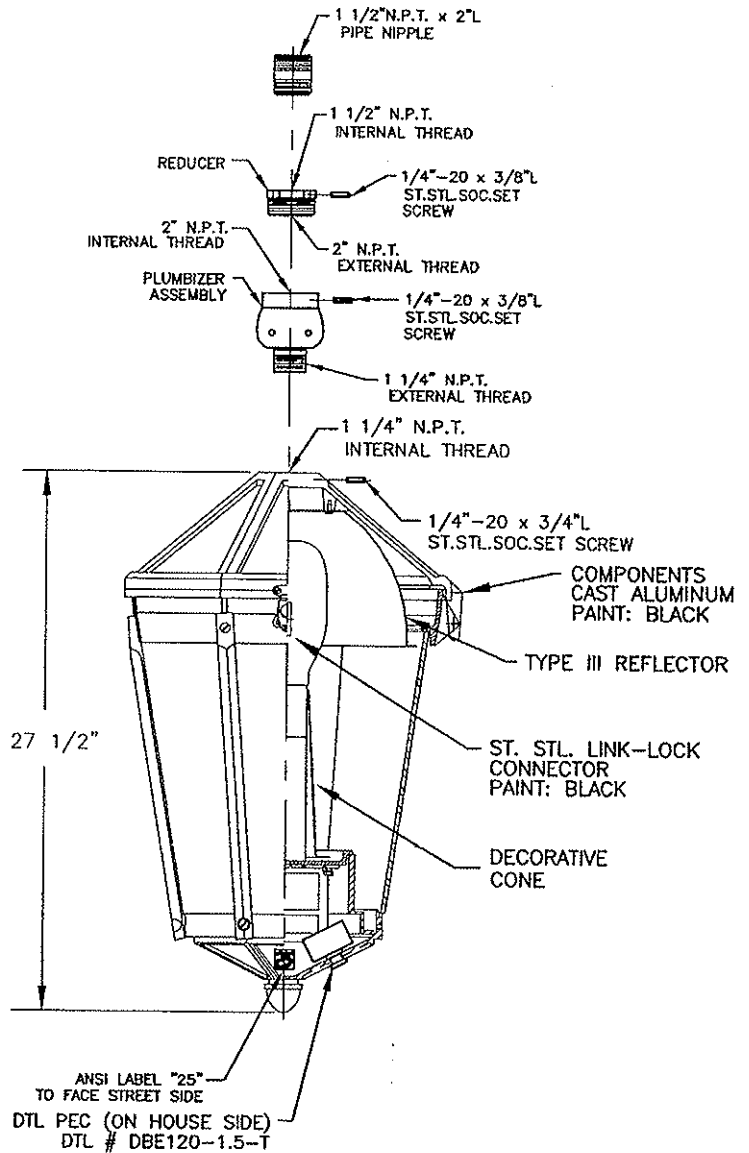
QUANTITY:
GLOBE MAT'L: ACRYLIC
IES CLASSIFIC.: TYPE III
WATTAGE: 250W
LIGHT SOURCE: HIGH PRESSURE SODIUM
LINE VOLTAGE: 120V
PAINT: BLACK
LAMP BY OTHERS

BALLAST INFORMATION:

BALLAST TYPE: CWA
BALLAST MANUFACTURER: ADVANCE / MAGNETEK
CATALOG NUMBER: 71A8291 / S250MLTAC4M

OPTIONS:

- QUICK DISCONNECT
 TERMINAL BLOCK
 OTHER: KPL-10 LEVELING DEVICE
 DTL ELECTRONIC PHOTO BUTTON CELL



PART	PLANT REFERENCE DWG. #'s	REVISION
GLOBE		
CAPITAL		
OPTICS		
BALLAST		
FINIAL		
OTHERS		
CERT. I.D. CS <input type="checkbox"/> ET <input type="checkbox"/>		

KING LUMINAIRE
COMPANY INC.

540 WILSON'S LANE, P.O. BOX 71, BRUNELTON, ONTARIO, CANADA L7R 3G9
 P.O. BOX 288 JEFFERSON OHIO 43131 STATE ROUTE 48N U.S.A. 44007

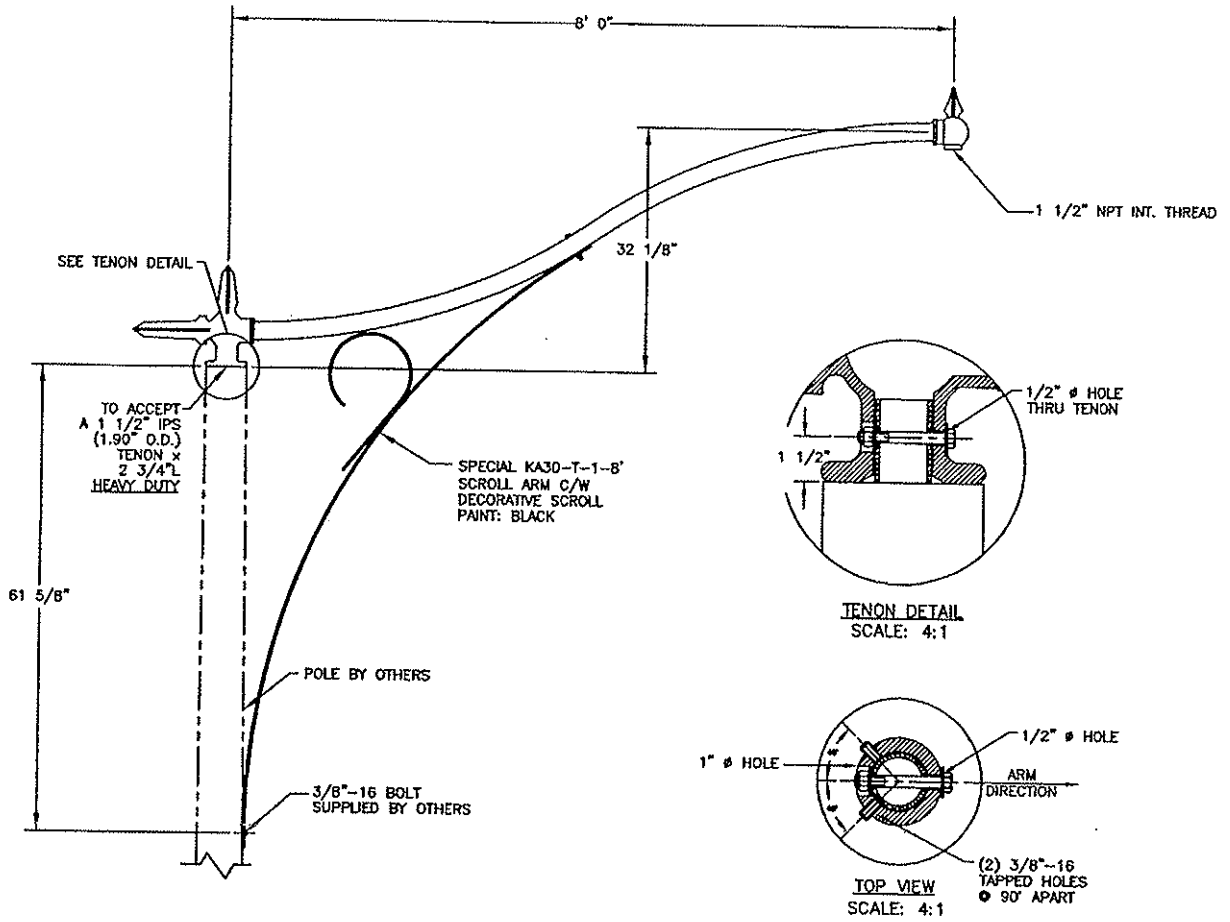
DRAWING NAME: CONCEPT DWG	DWG NUMBER: 206A2914-3	DATE: 05/05/05	DWG BY: A.A.	REV.
PROJECT/CUSTOMER: PSE - BONNEY LAKE				CHK BY:

VDWGS\206A2914

Approved: 
 City Engineer Date: 6.17.05
STREET STANDARD DETAIL




Dwg No: **S15**
KING LUMINAIRE



ARM SPECIFICATIONS

CATALOGUE NO.: KA30-T-1-8'
 MAT'L: ALUMINUM
 PAINT: BLACK

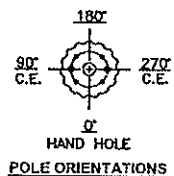
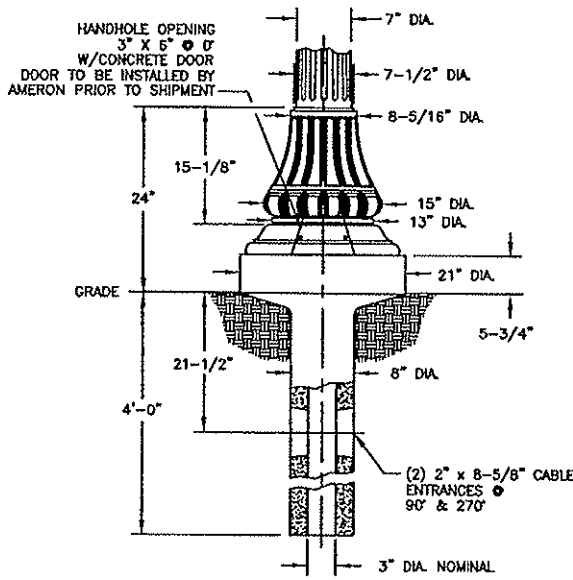
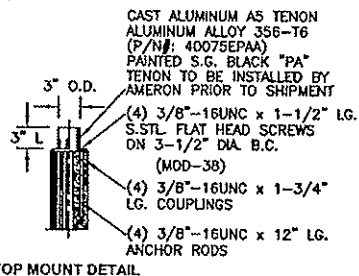
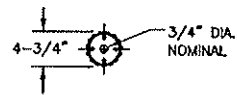
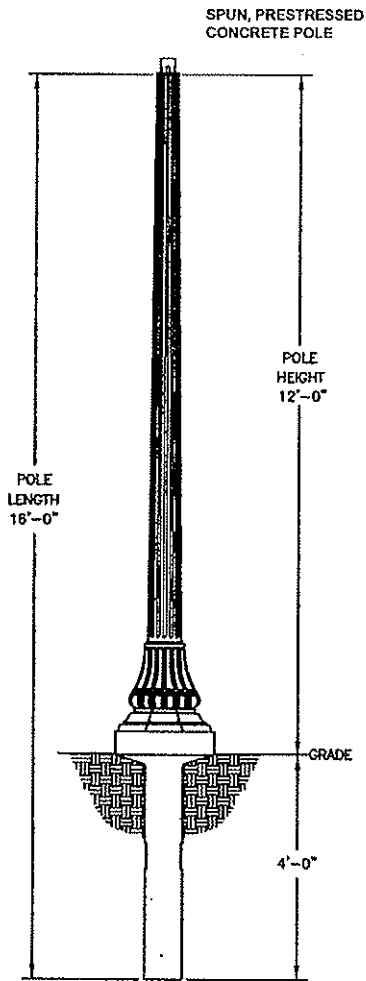
 KING LUMINAIRE COMPANY INC.			
840 WALKER'S LINE, P.O. BOX 7, BURLINGTON, ONTARIO, CANADA L7R 3Y9		P.O. BOX 266 JEFFERSON, OHIO 1153 STATE ROUTE 46H U.S.A. 44047	
DRAWING NAME: CONCEPT DWG	DWG NUMBER 206A2914-4	DATE: 05/12/05	DWG BY: REV. M.L.
PROJECT/CUSTOMER: PSE - BONNEY LAKE			CHK BY:
\DWGS\206A2914			

4 OF 4

Approved:  6-17-05
 City Engineer Date
STREET STANDARD DETAIL

City of
BONNEY
Lake

Dwg No: **S15**
KING LUMINAIRE



26ET- TRADITIONAL SERIES EMBEDDED WASHINGTON POLE

POLE DESIGNATION	POLE HEIGHT ABOVE GROUND	EM-BEDDED DEPTH	OVER-ALL LENGTH	BUTT DIA	ULTIMATE G.L. MOMENT (ft.-lbs.)	WEIGHT (lbs.)
26ET-12	12'-0"	4'-0"	16'-0"	21"	7,500	740

() POLES REQD, EACH WITH AS TENON (3"O.D. x 3"L; SEE P/N# 40075EPAA).

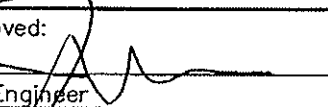
- NOTES:**
- FIL MIX (12): BLACK/BLACK, EXPOSED AGGREGATE FINISH, WITH AMERSHIELD ANTI-GRAFFITI COATING.
 - ASTM C-150 TYPE III GRAY CEMENT.
 - Fc @ 28 DAYS = 6,000 PSI, USING SPUN CYLINDER TEST (MIN.).
 - Fc @ 28 DAYS = 5,000 PSI, USING ASTM C-31 CYLINDER TEST.
 - POLES MANUFACTURED PER ASTM C1089-97 SPECIFICATIONS.
 - PROTECTIVE COAT EXPOSED P.C. WIRES AT POLE ENDS.
 - FIL MFG: PRESTRESSED WITH (4) 5/16" DIA. A-416 PRESTRESS CABLES (7-STRAND).
 - MOD 38: (4) 3/8"-16UNC TOP MT CPLNGS/ANCHORS ON A 3-1/2" B.C.
 - ALL EXPOSED METAL PAINTED SEMI-GLOSS BLACK (PA).

Ameron POLE PRODUCTS & SYSTEMS

**BONNEY LAKE- WA
26ET-12 POLE WITH TENON**

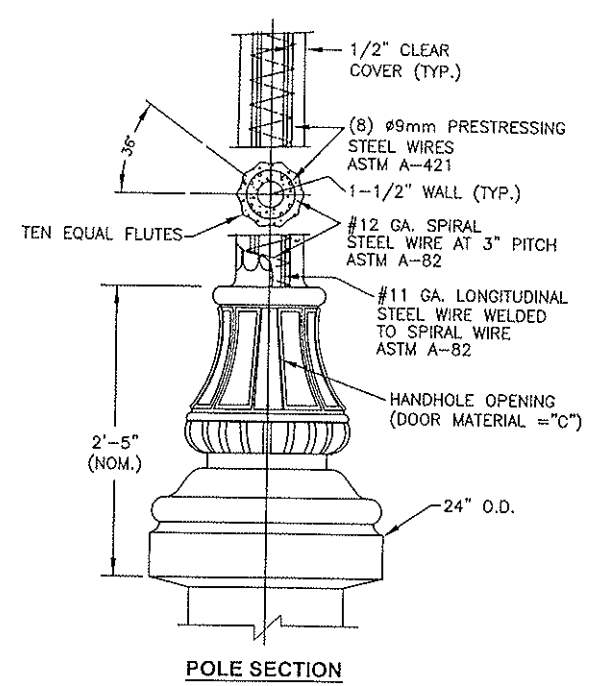
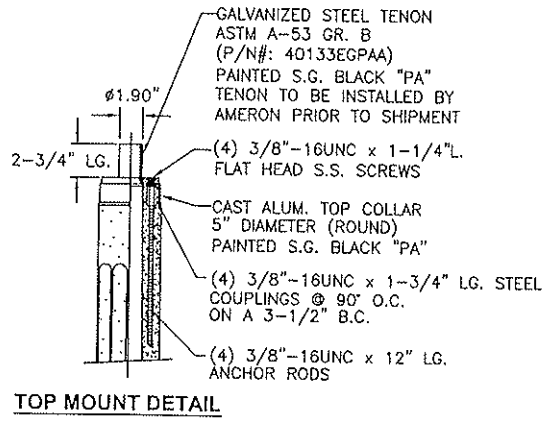
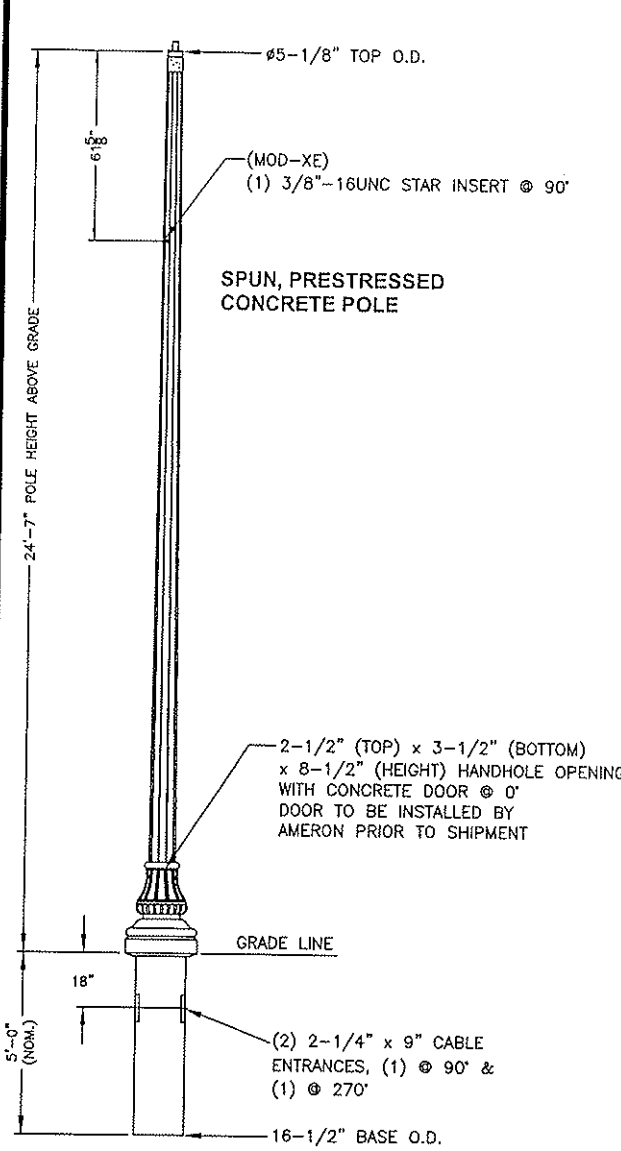
THIS DOCUMENT CONTAINS INFORMATION WHICH IS PROPRIETARY TO AMERON. IT SHALL NOT BE REPRODUCED, USED OR DISCLOSED TO ANYONE WITHOUT THE PRIOR WRITTEN PERMISSION OF AMERON.

DRAWN: J.C.	5/05	SCALE N.T.S.	DWG. NO. SK053505	REV. A
CHK'D:				

Approved: 
 City Engineer Date 6-17-07
STREET STANDARD DETAIL

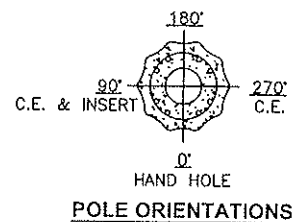


Dwg No: **S16**
26ET-12 POLE WITH TENON



VEWX- TALL EMBEDDED WASHINGTON POLE

POLE DESIGNATION	POLE HEIGHT A.G.	EMBEDDED DEPTH (NOM.)	POLE OVERALL LENGTH	ABOVE BASE MOMENT (ft.-lbs.)	WEIGHT (lbs.)
VEWX-7.5	24'-7"	5'-0"	29'-7"	24,300	1,500



() POLES REQD' EACH W/ GALVANIZED STEEL TENON ASSY. PAINTED S.G. BLACK "PA" (P/N#: 40133EGPAA)

NOTES:

- MIX (6P3I): BLACK PEBBLESTONE, EXPOSED AGGREGATE FINISH WITH AMERSHIELD ANTI-GRAFFITI COATING.
- ASTM C-150 TYPE III GRAY CEMENT.
- f_c @ 28 DAYS = 7,000 PSI, USING SPUN CYLINDER TEST.
- f_c @ 28 DAYS = 5,000 PSI, USING ASTM C-31 CYLINDER TEST.
- POLES MANUFACTURED PER ASTM C-1089-97 SPECIFICATIONS.
- PROTECTIVE COAT EXPOSED P.C. WIRES AT POLE ENDS.
- MOD-XE: (1) 3/8"-16UNC STAR INSERT.
- ORDER ENTRY: SPECIFY "C" FOR CONCRETE DOOR.
- ALL EXPOSED METALS PAINTED S.G. BLACK "PA".

Ameron POLE PRODUCTS & SYSTEMS

BONNEY LAKE -- WA

VEWX-7.5 (6P3I) POLE W/ TOP ATTACHMENT

THIS DOCUMENT CONTAINS INFORMATION WHICH IS PROPRIETARY TO AMERON. IT SHALL NOT BE REPRODUCED, USED OR DISCLOSED TO ANYONE WITHOUT THE PRIOR WRITTEN PERMISSION OF AMERON.

DRAWN: J.C.	5/05	SCALE	DWG. NO.	REV
CHK'D:		N.T.S.	SK052105	B

Approved: 7.14.06
 City Engineer Date

STREET STANDARD DETAIL



Dwg No: **S17**

VEWX-7.5 (6P3I) POLE W/ TOP ATTACHMENT